



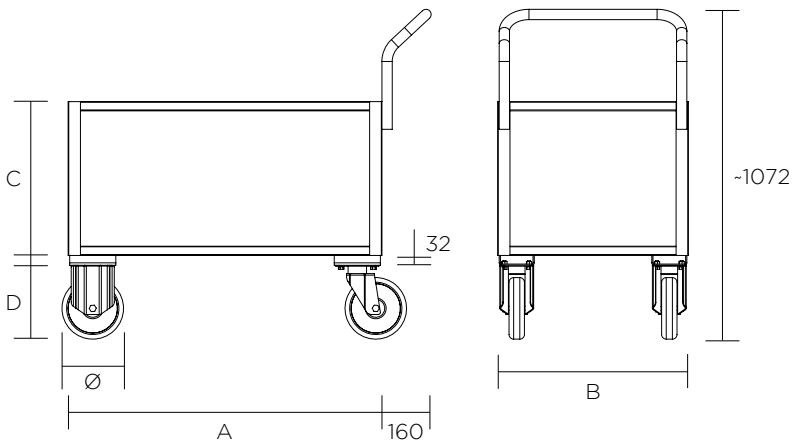
CARRELLI DI SERVIZIO

/ SERVICE TROLLEYS / CHARIOTS DE SERVICE

VERSIONE A DUE RIPIANI IN LAMIERA

VERSION WITH TWO SHEET METAL SHELVES / VERSION A DEUX RAYONS EN TOLE

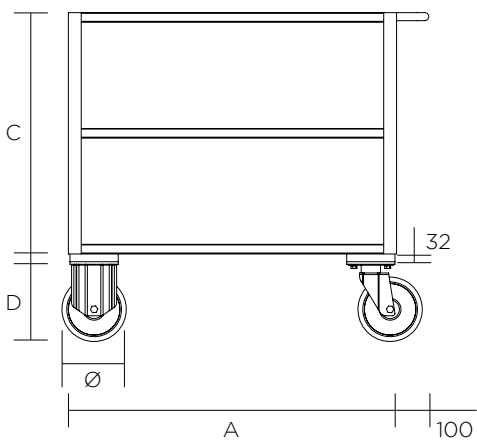
CODICE PART N° CODE	DIMENSIONI / DIMENSIONS / DIMENSIONS					Ø RUOTE Ø WHEELS Ø ROUES	PORTATA PER RIPIANO CAPACITY PER SHELF PORTÉE PAR RAYON KG
	A	B	C	D			
CS001	1020	620	500	240	200	150	



VERSIONE A DUE RIPIANI IN LAMIERA

VERSION WITH THREE SHEET METAL SHELVES / VERSION A TROIS RAYONS EN TOLE

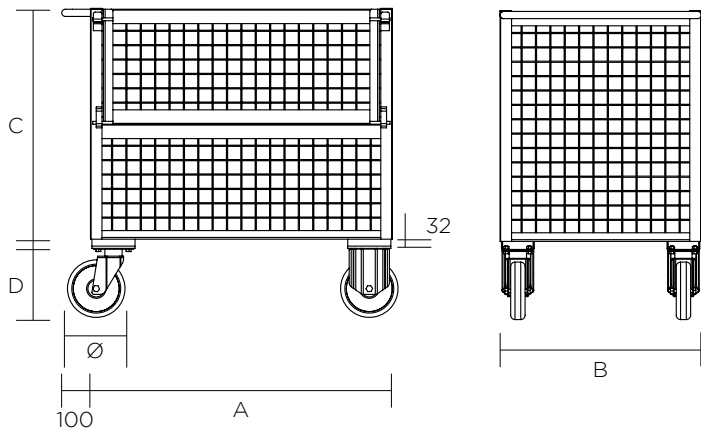
CODICE PART N° CODE	DIMENSIONI / DIMENSIONS / DIMENSIONS					Ø RUOTE Ø WHEELS Ø ROUES	PORTATA PER RIPIANO CAPACITY PER SHELF PORTÉE PAR RAYON KG
	A	B	C	D			
CS002	1020	620	750	240	200	150	



VERSIONE CON SPONDE E SPORTELLO IN RETE

VERSION WITH SIDE WALLS AND DOOR MADE OF NETTING / VERSION AVEC COTES ET PORTE EN GRILLAGE

CODICE PART N° CODE	DIMENSIONI / DIMENSIONS / DIMENSIONS					PORTATA CAPACITY PORTÉE KG
	A	B	C	D	Ø RUOTE Ø WHEELS Ø ROUES	
CS003	1050	700	800	240	200	500



TELAIO PER MOVIMENTAZIONE CONTENITORI

FRAME STRUCTURE FOR CONTAINER HANDLING / CHASSIS POUR MANUTENTION CONTENEURS

CODICE PART N° CODE	DIMENSIONI / DIMENSIONS / DIMENSIONS					PORTATA CAPACITY PORTÉE KG
	A	B	C	D	Ø RUOTE Ø WHEELS Ø ROUES	
TCR001	1230	1030	40	240	200	800
TCR002	1030	830	40	240	200	800

